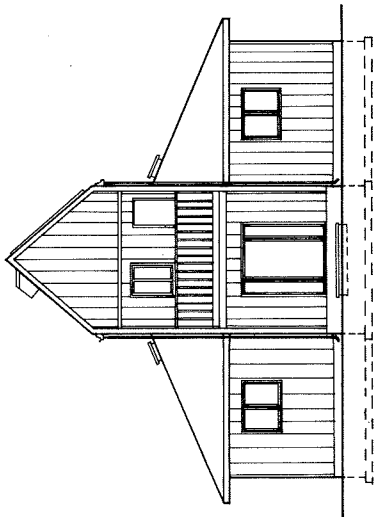
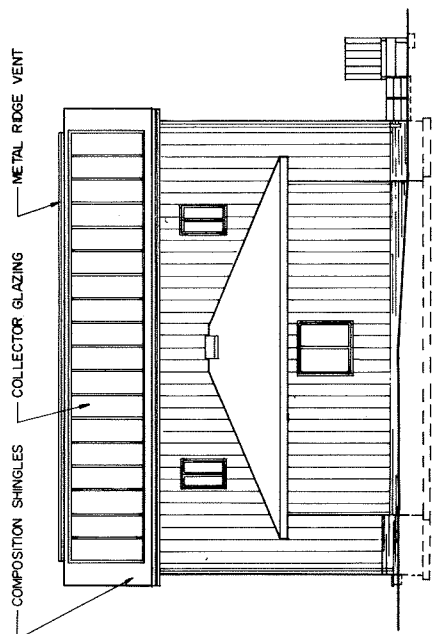


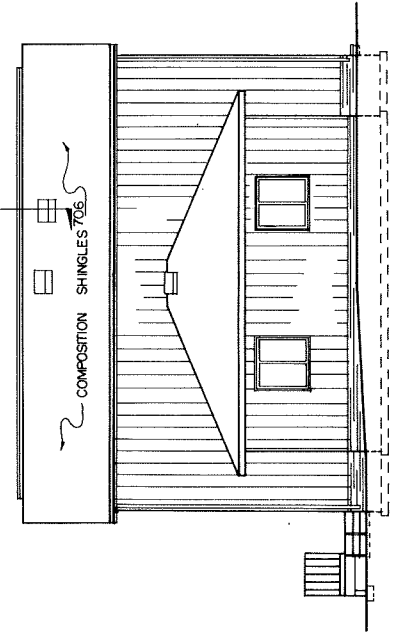
REAR ELEVATION



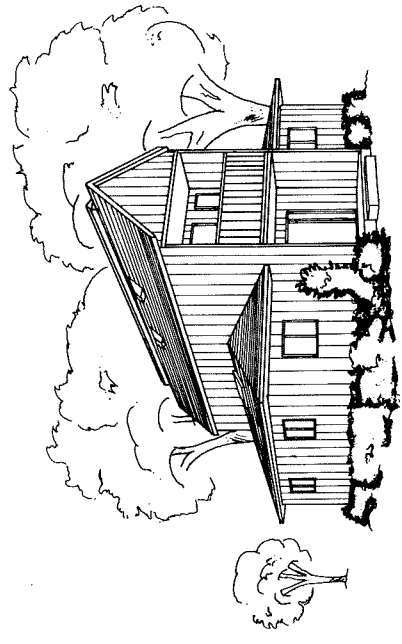
FRONT ELEVATION



RIGHT SIDE ELEVATION

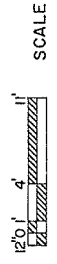


LEFT SIDE ELEVATION



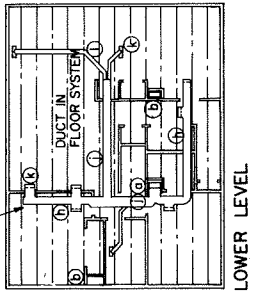
PERSPECTIVE

SEE SHEET 5 FOR OPTIONAL BASEMENT



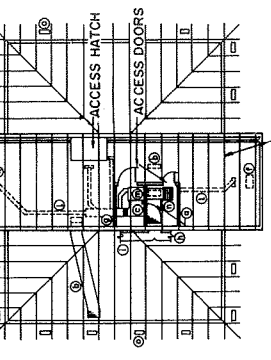
COOPERATIVE EXTENSION SERVICE AGRICULTURE AND HOME ECONOMICS	
AND UNITED STATES DEPARTMENT OF AGRICULTURE COOPERATING	
FOUR BEDROOM CONTEMPORARY SOLAR ATTIC	
USDA 84	7252 SHEET 1 OF 8

2"x6" C.J. & R.F. (F.J. ARE 2"x10" FOR BASEMENT OPTION)
2'-0" O.C.



LOWER LEVEL

2"x6" RAFTERS
2'-0" O.C.

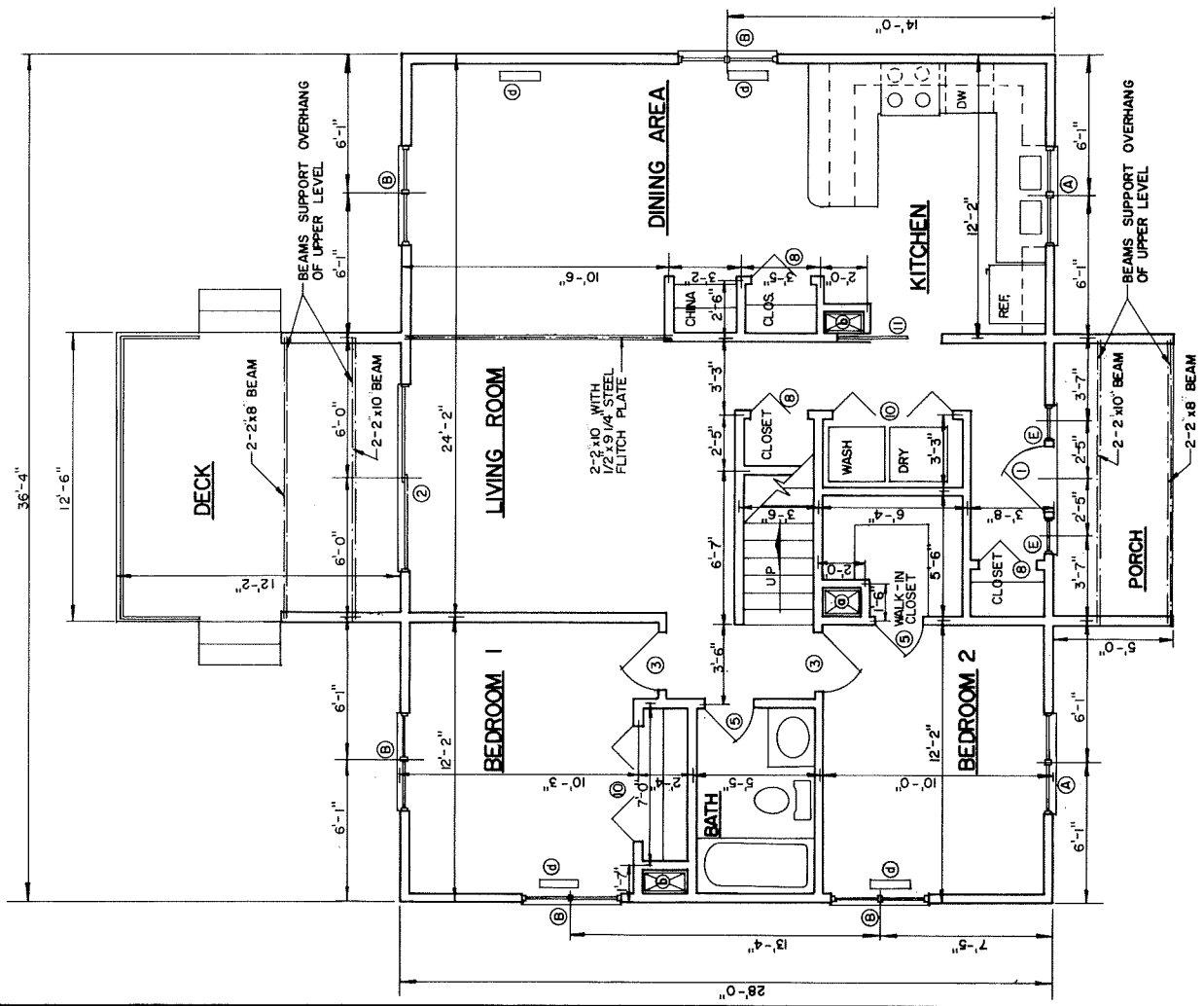


UPPER LEVEL

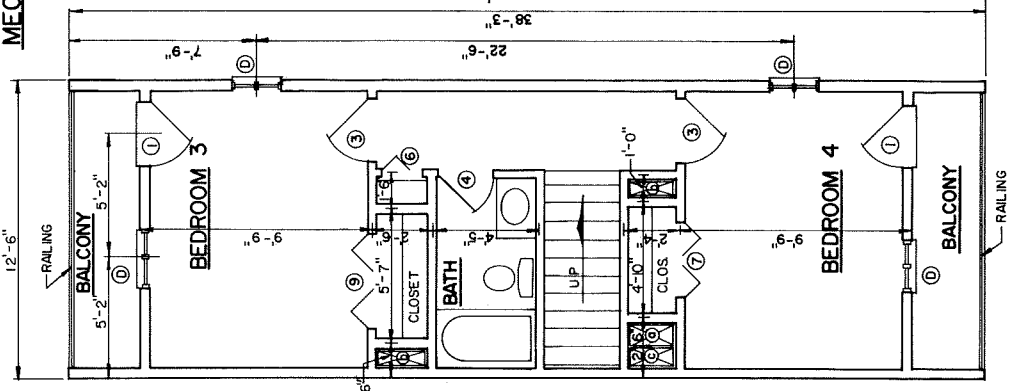
MECHANICAL PLANS
SCALE

WINDOW SCHEDULE		
CODE	SIZE	# RECD.
A	4'0" x 3'0" 7/8"	2
B	4'0" x 4'0"	5
C	2'8" x 1'8" x 2'0"	2
D	2'0" x 4'0"	4
E	1'6" x 6'8"	2

DOOR SCHEDULE		
CODE	SIZE	# RECD.
1	2'8" x 6'8"	3
2	8'0" x 6'8"	1
3	2'6" x 6'8" x 1 3/8"	1
4	2'4" x 6'8" x 1 3/8"	1
5	2'0" x 6'8" x 1 3/8"	2
6	1'6" x 6'8" x 1 3/8"	1
7	3'0" x 6'8" x 1 3/8"	1
8	2'6" x 6'8" x 1 3/8"	3
9	4'0" x 6'8" x 1 3/8"	1
10	5'0" x 6'8" x 1 3/8"	2
11	3'0" x 6'8"	1
12	2'8" x 6'8" x 1 3/4"	1



LOWER FLOOR PLAN
SCALE



UPPER FLOOR PLAN
SCALE

COOPERATIVE EXTENSION SERVICE
AGRICULTURE AND HOME ECONOMICS

UNITED STATES DEPARTMENT OF AGRICULTURE COOPERATING

**FOUR BEDROOM
CONTEMPORARY SOLAR ATTIC**

USDA '84 7252 SHEET 2 OF 8

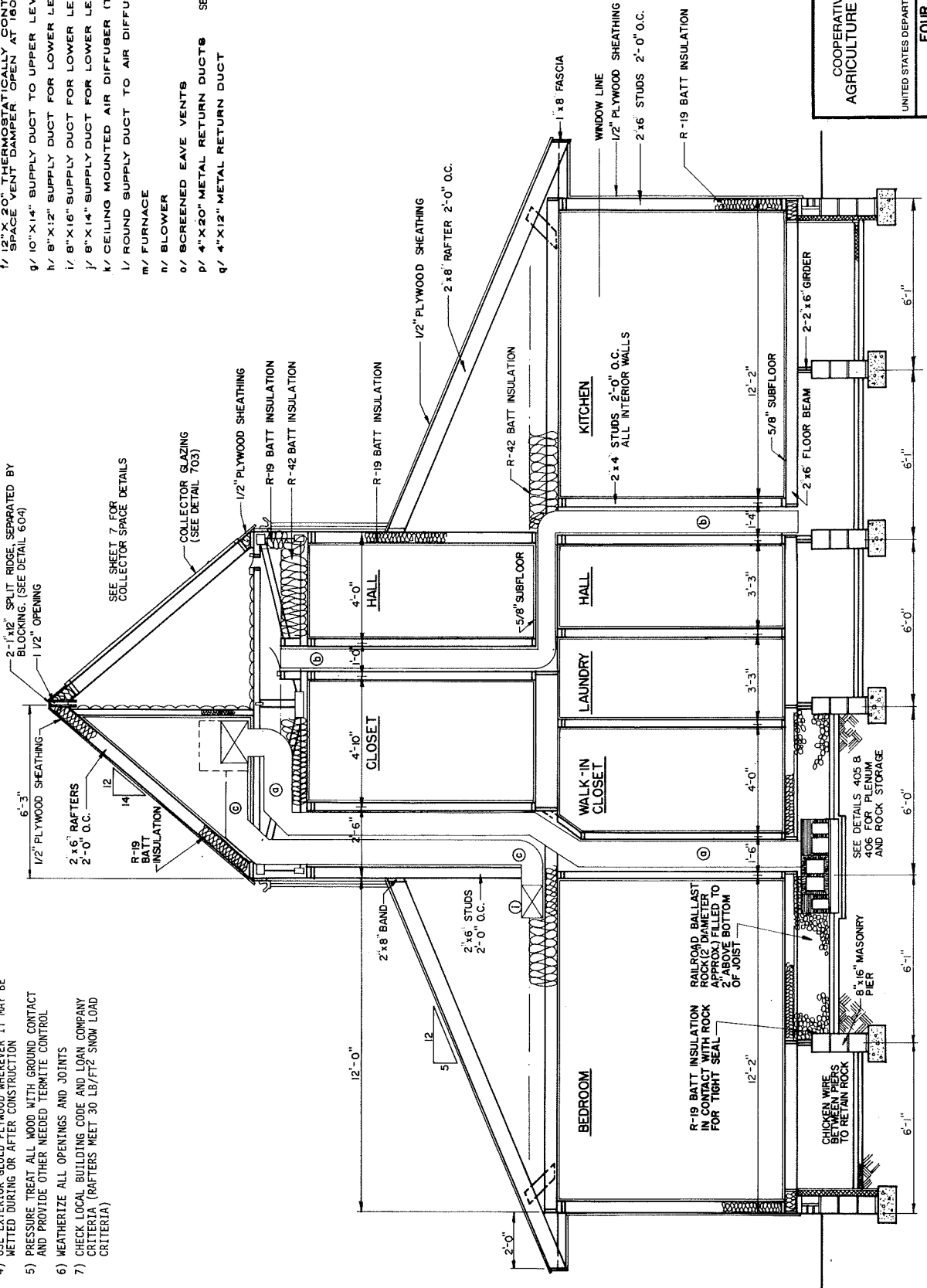
MECHANICAL PLANS

SCHEDULE

- 0/ 12"x20" METAL SUPPLY DUCT TO ROCK STORAGE
- 1/ 8"x20" RETURN DUCT FROM AIR PLENUM TO COLLECTOR SPACE
- 2/ 10"x20" SUPPLY DUCT TO LOWER LEVEL DISTRIBUTION SYSTEM
- 3/ 4"x20" FLOOR REGISTER RETURN TO AIR PLENUM
- 4/ 12"x20" THERMOSTATICALLY CONTROLLED COLLECTOR SPACE VENT DAMPER OPEN AT 180°F, CLOSE AT 140°F
- 5/ 10"x14" SUPPLY DUCT TO UPPER LEVEL
- 6/ 8"x12" SUPPLY DUCT FOR LOWER LEVEL
- 7/ 8"x16" SUPPLY DUCT FOR LOWER LEVEL
- 8/ 8"x14" SUPPLY DUCT FOR LOWER LEVEL
- 9/ CEILING MOUNTED AIR DIFFUSER (TYPICAL)
- 10/ ROUND SUPPLY DUCT TO AIR DIFFUSERS (8" TYPICAL)
- 11/ FURNACE
- 12/ BLOWER
- 13/ SCREENED EAVE VENTS
- 14/ 4"x20" METAL RETURN DUCTS SEE BASEMENT OPTION, PAGE 5
- 15/ 4"x12" METAL RETURN DUCT " " " " " "
- 16/ 4"x12" METAL RETURN DUCT " " " " " "

CONSTRUCTION CHECK LIST

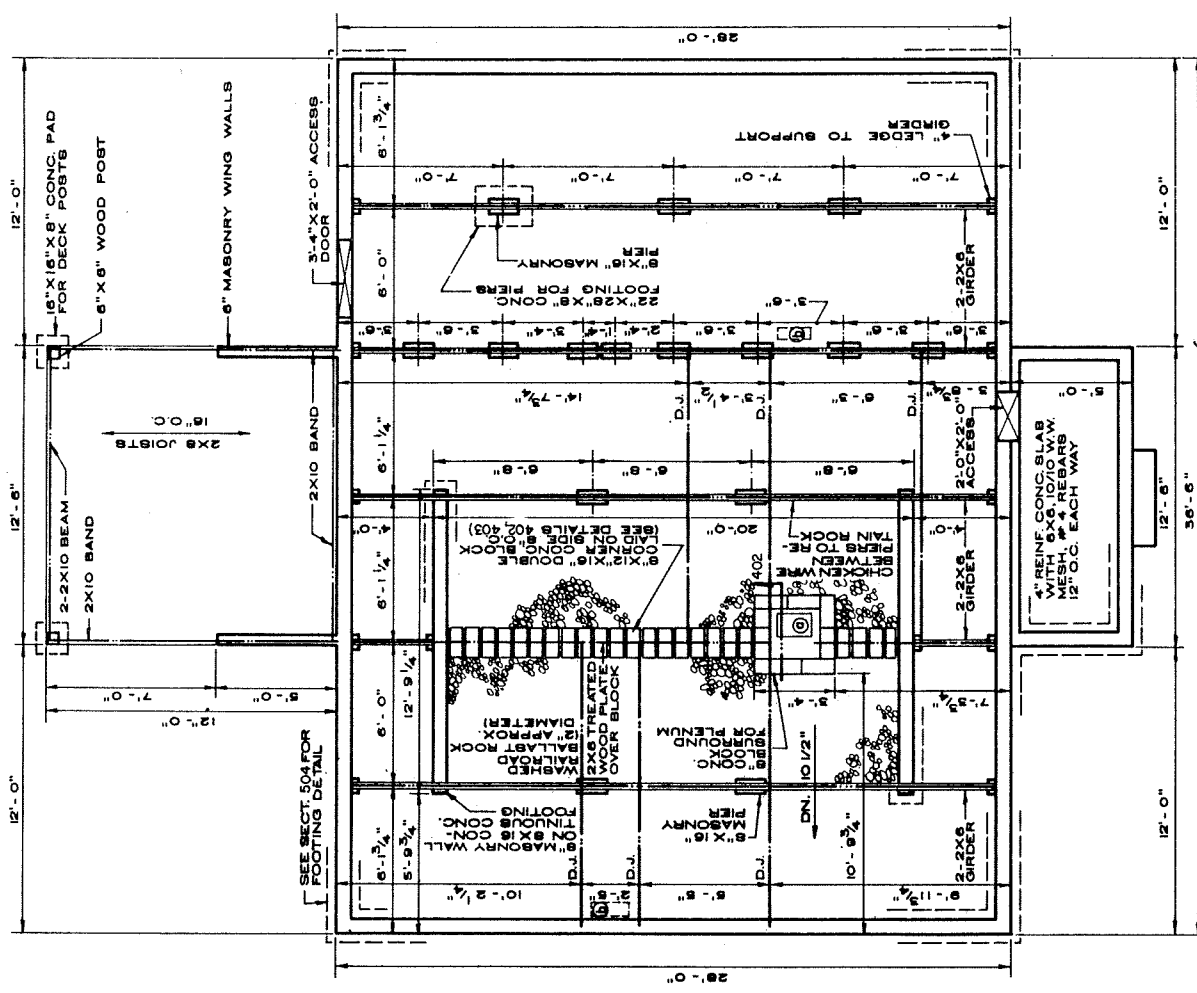
- 1) ADEQUATELY NAIL AND ANCHOR JOINTS
- 2) DOUBLE JOISTS UNDER TUBS AND OTHER HEAVY LOADS
- 3) SHEATH CORNERS WITH 1/2" PLYWOOD OR HIGH DENSITY FIREBOARD OR USE DIAGONAL BRACING
- 4) USE EXTERIOR GLUED PLYWOOD WHEREVER IT MAY BE METTED DURING OR AFTER CONSTRUCTION AND PROVIDE OTHER NEEDED TERMITE CONTROL
- 5) WEATHERIZE ALL OPENINGS AND JOINTS
- 6) CHECK LOCAL BUILDING CODE AND LOAN COMPANY CRITERIA (RAFTERS MEET 30 LB/FT² SNOW LOAD CRITERIA)



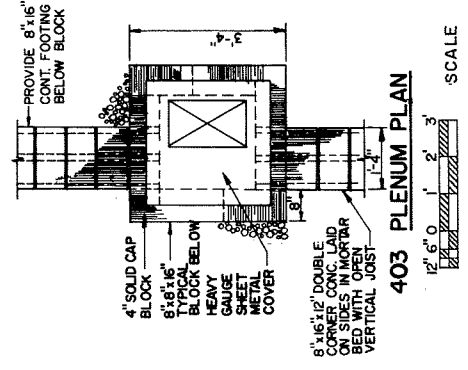
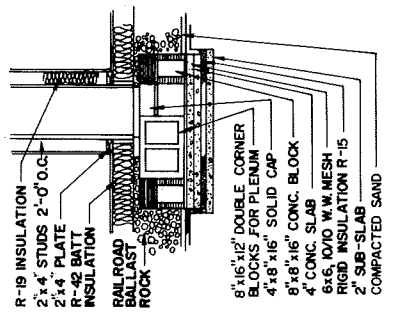
30' TRANSVERSE SECTION



SCALE



402 PLENUM SECTION

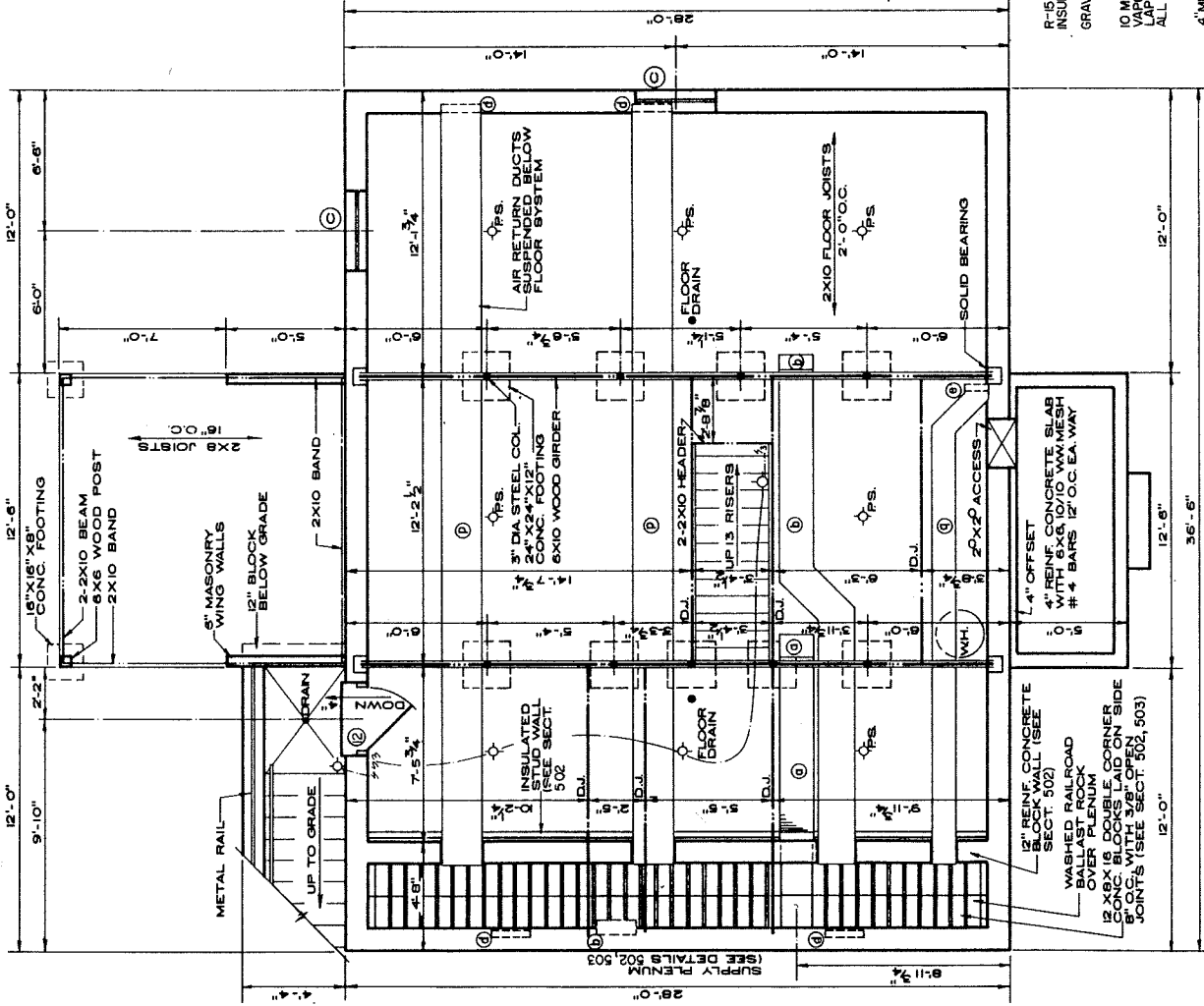


403 PLENUM PLAN

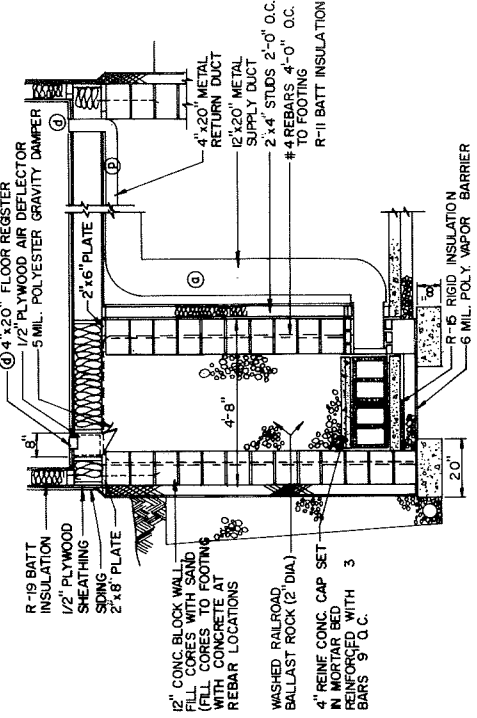
COOPERATIVE EXTENSION SERVICE AGRICULTURE AND HOME ECONOMICS	
UNITED STATES DEPARTMENT OF AGRICULTURE COOPERATING	
FOUR BEDROOM CONTEMPORARY SOLAR ATTIC	
USDA '84	7252
SHEET 4 OF 8	

401 FOUNDATION PLAN
SCALE: 1/8" = 1'-0"
SEE PLAN 501 FOR BASEMENT OPTION

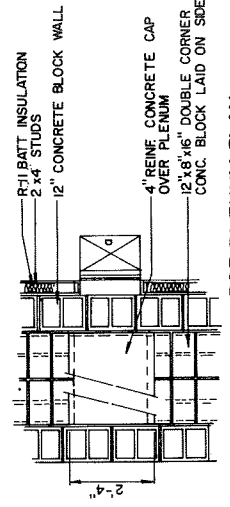
NOTE: AIR PLENUM/CRAWL SPACE AREA IS EXCAVATED 10 1/2" DEEPER THAN ROCK STORAGE AREA. SEE SECT. 301



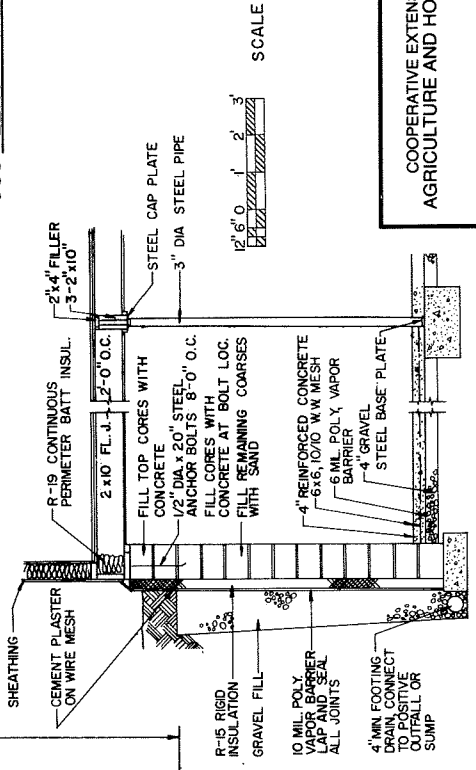
501 BASEMENT FOUNDATION PLAN
SCALE: 1/8" = 1'-0"



502 SECTION THRU ROCK STORAGE



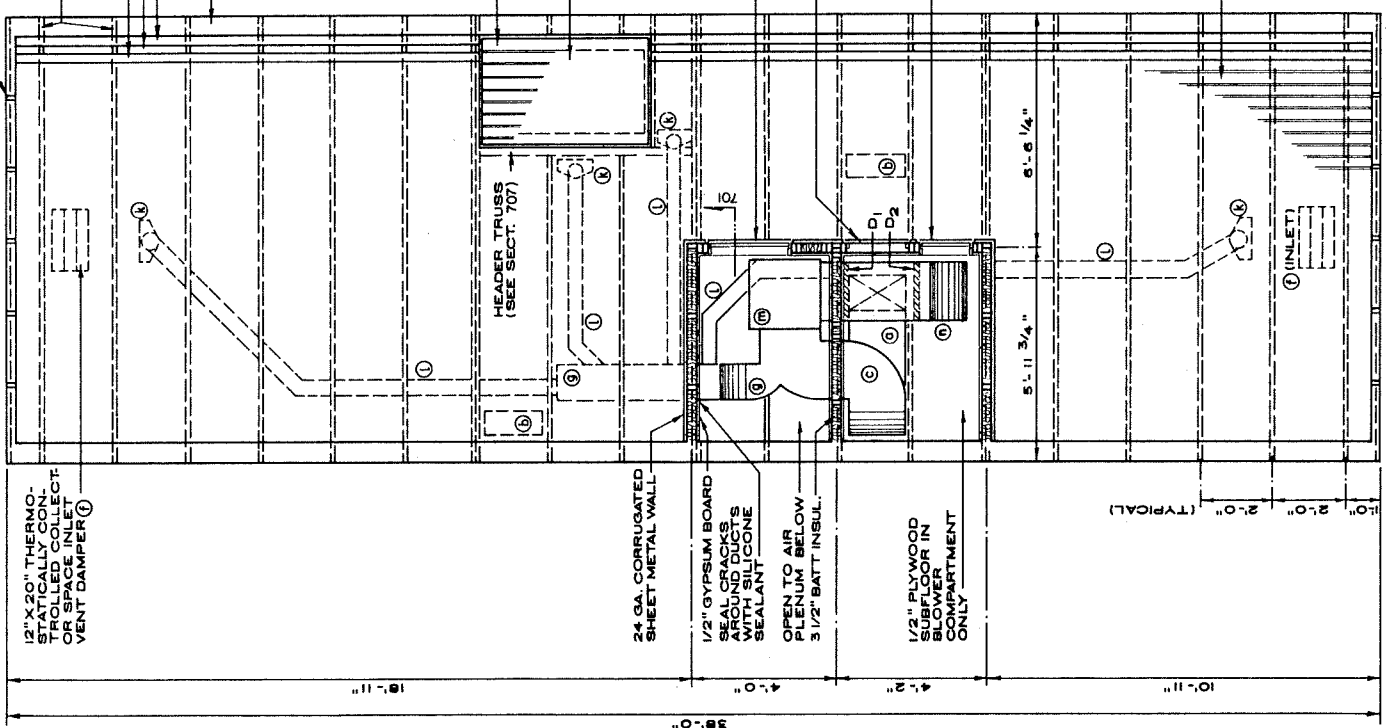
503 PLENUM PLAN



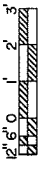
504 TYPICAL BASEMENT WALL SECTION

12" X 20" THERMO-STATICALLY CONTROLLED COLLECTOR FLAP DAMPER (VENT DAMPER)

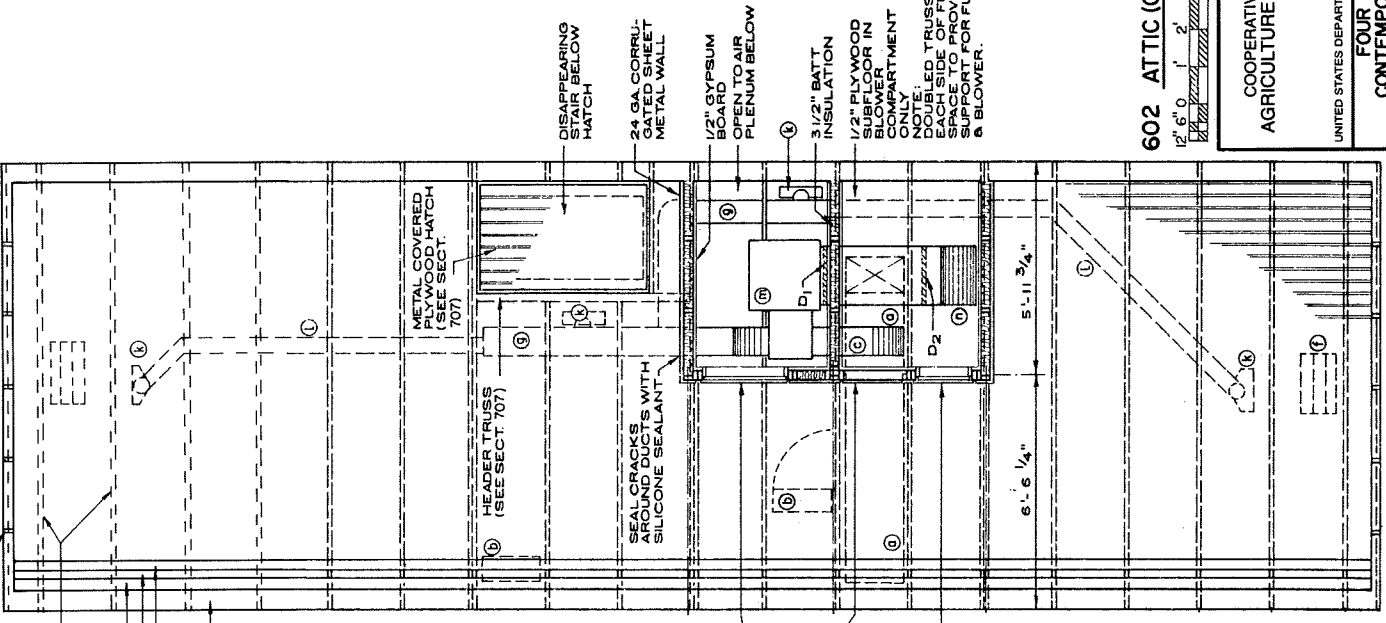
GABLE STUDS
 2 X 4 X 2'-0" DEEP FLOOR TRUSSES 2'-0" O.C. (BELOW SHEET METAL FLOOR)
 2 X 4 CONTINUOUS
 2" AIR SLOT, FLAP DAMPER OVER
 2 X 4 CONTINUOUS
 2 X 8 RAFTER BEARING PLATE



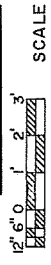
601 ATTIC PLAN



SCALE



602 ATTIC (OPTIONAL)



SCALE

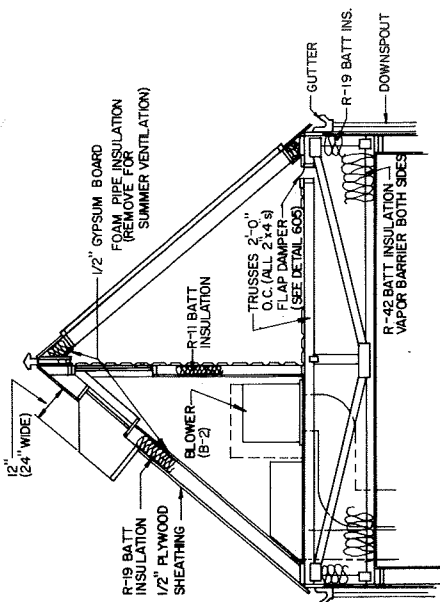
COOPERATIVE EXTENSION SERVICE
 AGRICULTURE AND HOME ECONOMICS

UNITED STATES DEPARTMENT OF AGRICULTURE COOPERATING

AND

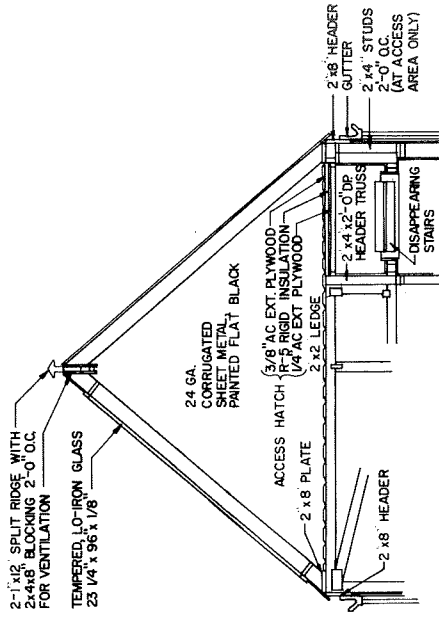
FOUR BEDROOM
 CONTEMPORARY SOLAR ATTIC

USDA '84 7252 SHEET 6 OF 8



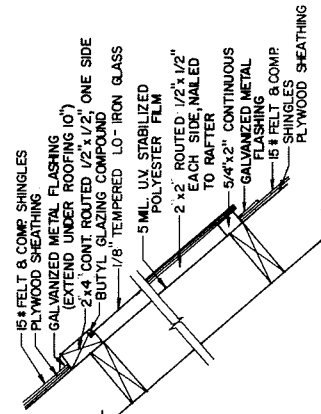
706 ATTIC SECTION THRU BLOWER COMPARTMENT

SCALE
12" 6" 0" 1" 2" 3"



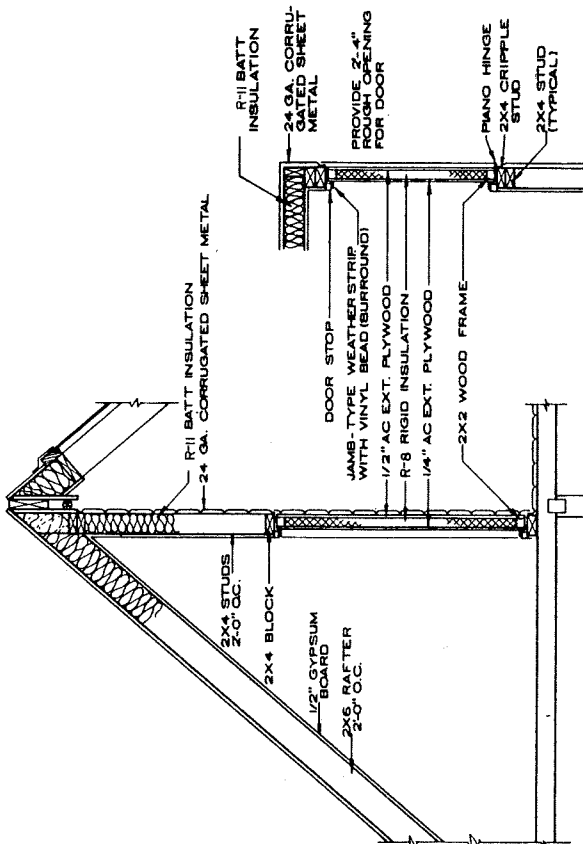
707 ATTIC SECTION

SCALE
12" 6" 0" 1" 2" 3"



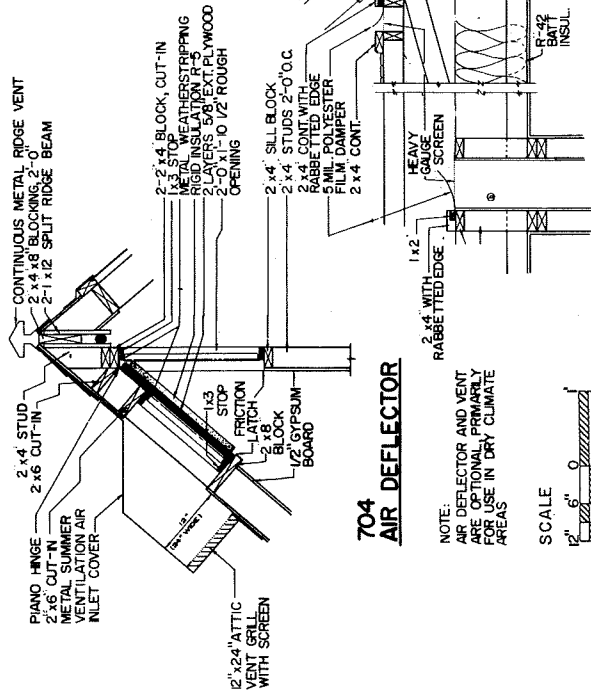
703 COLLECTOR DETAIL

SCALE
6" 3" 0"



701 MECHANICAL SPACE ACCESS

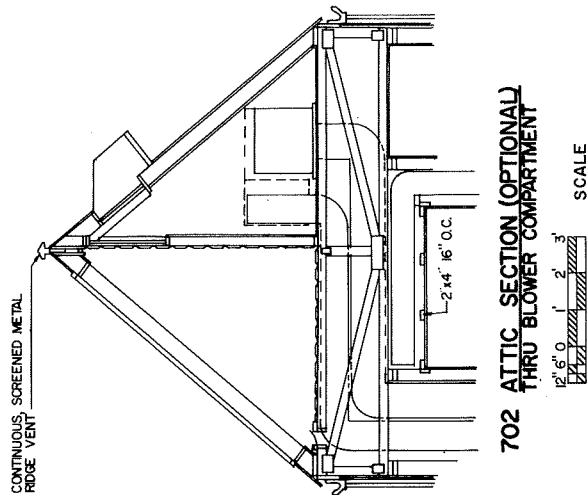
SCALE
12" 6" 0" 1" 2" 3"



704 AIR DEFLECTOR

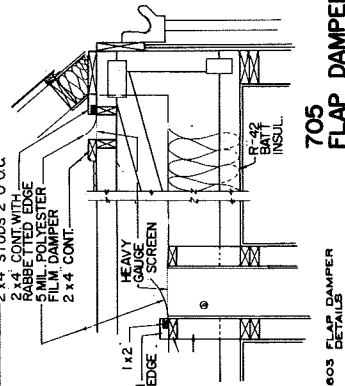
NOTE:
AIR DEFLECTOR AND VENT ARE OPTIONAL, PRIMARILY FOR USE IN DRY CLIMATE AREAS

SCALE
12" 6" 0" 1" 2" 3"



702 ATTIC SECTION (OPTIONAL) THRU BLOWER COMPARTMENT

SCALE
12" 6" 0" 1" 2" 3"



705 FLAP DAMPER DETAIL

SCALE
12" 6" 0" 1" 2" 3"

COOPERATIVE EXTENSION SERVICE AGRICULTURE AND HOME ECONOMICS	
UNITED STATES DEPARTMENT OF AGRICULTURE COOPERATING	
FOUR BEDROOM CONTEMPORARY SOLAR ATTIC	
USDA '64	7252
SHEET 7 OF 8	

