



Wow! I Made It.com

Arbor

Every garden needs an arbor. This one is positioned over a walkway in the yard to serve as a pleasant transition from one outdoor living area to another; it would also be at home over an entryway gate or in a corner of the yard. Plant a fast-growing vine at the base of the arbor, and you'll have a beautiful addition to your garden.



Materials

- 32 linear feet of 2 x 2 pine
- 4' x 8' sheet of privacy lattice
- 10 linear feet of 1 x 6 pine
- 15 linear feet of 2 x 4 pine

Hardware

- 80, 1-1/4" (3d) finishing nails
- 15, 1-5/8" wood screws
- 12, 2" wood screws

Special Tools and Techniques

- Dado

Cutting List

| Code | Description | Qty. | Materials | Dimensions |
|------|-------------|------|-----------------|------------|
| A | Side | 4 | 2 x 2 pine | 90" long |
| B | Panel | 2 | Privacy Lattice | 12" x 80" |
| C | Support | 2 | 1 x 6 pine | 48" long |
| D | Top | 5 | 2 x 4 pine | 33" long |

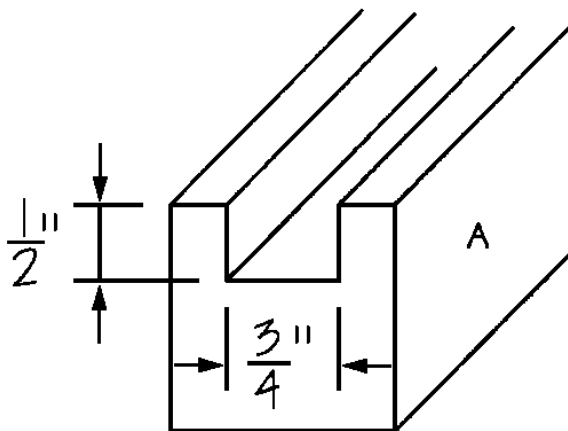


Figure 1

Building the Side Frames

1. Cut four Sides (A) from 2 x 2 pine, each measuring 90 inches long.
2. Cut two Panels (B) from lattice, each measuring 12 x 80 inches.
3. Cut a dado, 1/2 inch wide and 3/4 inch deep, down the length of the Sides (A), as shown in *Figure 1*.

- Place one Panel (B) inside one Side (A) dado. The Panel (B) should be even with one end of the Side (A), as shown in *Figure 2*. Apply glue to the dado, and toenail through the Panel (B) into the Side (A), using 1-1/4" finish nails spaced about every 5 inches.

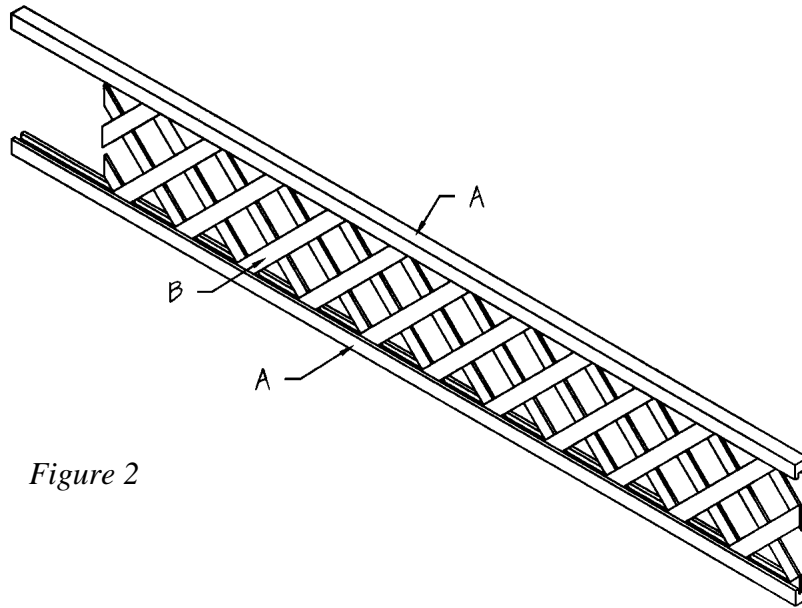


Figure 2

- Repeat Step 4 to attach the other side (A) to the opposite edge of the Panel (B).
- Assemble a second frame, using the remaining two Sides (A) and the remaining Panel (B).

Adding the top

- Cut two Supports (C) from 1 x 6 pine, each measuring 48 inches long.
- Using *Figure 3* as a guide cut off two of the corners on both supports (C).
- Cut five Tops (D) from 2 x 4 pine, each measuring 33 inches long. Using *Figure 4* as a guide cut the ends of the Tops (D) at an angle.

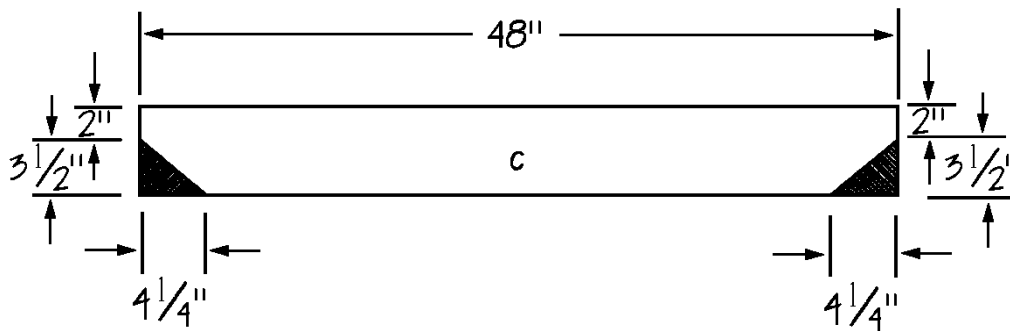
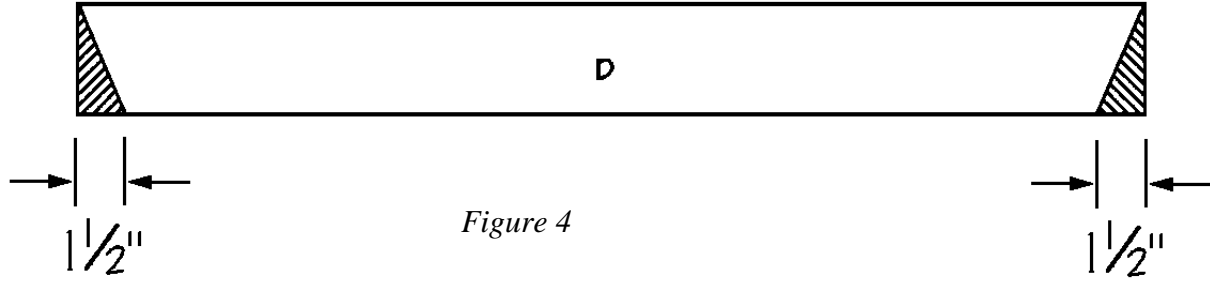
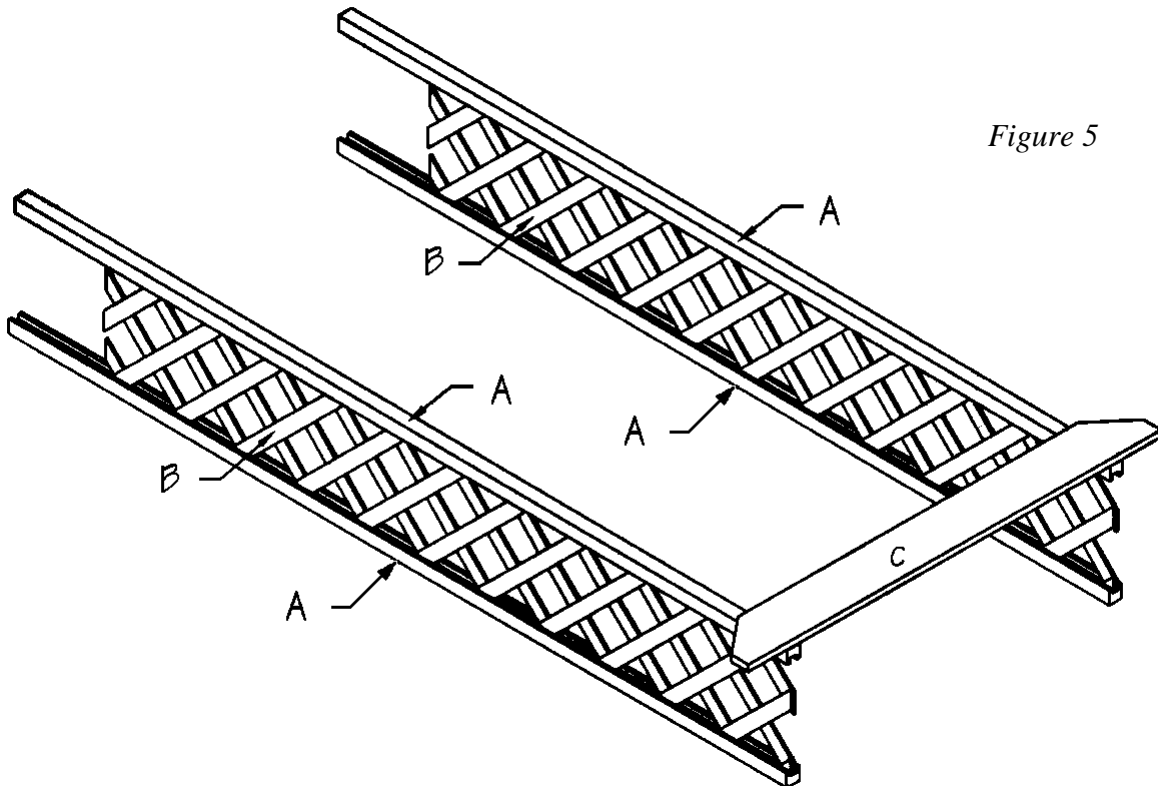


Figure 3



4. Place the two assembled frames on edge, parallel to each other, and 34 inches apart. Place one support (C) over the flush ends of the assembled frames, as shown in *Figure 5*. The edge of the support (C) should be even with the ends of the Sides (A). Apply glue to the meeting surfaces, and screw through the support (C), using three 1-5/8-inch screws on each joint.



5. Repeat Step 4 to attach the remaining Support (C).

6. Install the arbor in its final spot outside, making sure that the legs are level and plumb. The Sides (A) that extend beyond the Panel (B) should be below ground.
7. Position the five tops (D) in place, perpendicular to the Supports (C), as shown in *Figure 6*. Screw through the Supports (C) at an angle into the tops (D), using 2-inch screws.

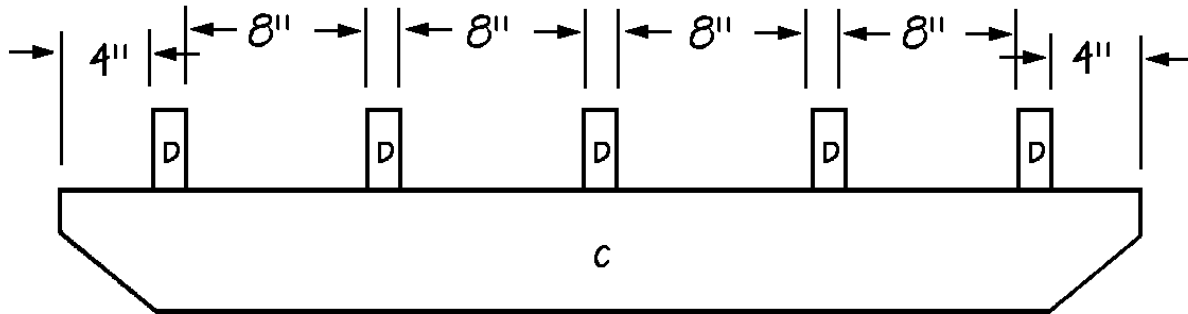


Figure 6

Finishing

1. Sand the completed arbor thoroughly.
2. Either paint or stain the arbor the color of your choice or simply leave it natural.



**Enjoy other indoor
and outdoor
projects from...**

www.wowimadeit.com